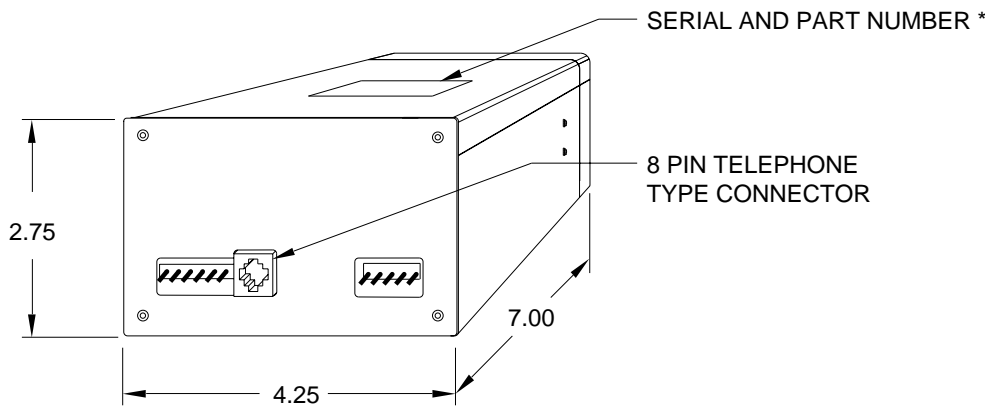
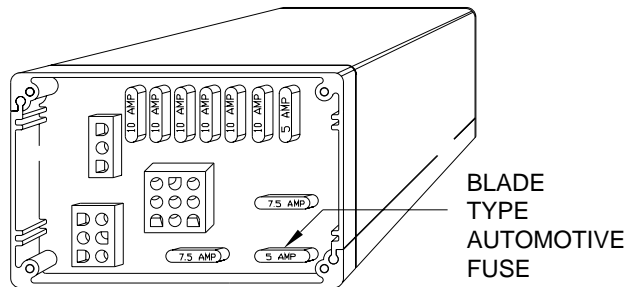


**BOX, CONTROL
FOR COMPUTER-CONTROLLED (TOUCH PANEL) LEVELING SYSTEMS
(WITH COMBINATION HYDRAULIC/JET AIR SUSPENSION)**

**610 SERIES
WITH MODULAR CABLE**



REPLACEMENT CONTROL BOXES

| *EXISTING NUMBER | HYDRAULIC LEVELING | JACK STYLE | AIR DUMP | AIR LEVELING | PARK SIGNAL | OPERATION FEATURES | COMMON APPLIC. | REPLACE NUMBER |
|------------------|--------------------|------------|----------|--------------|-------------|--------------------|----------------|----------------|
| AP9800 | YES | 2-KD | YES | YES | NEG. | JET-AIR SUSPENSION | WINNEBAGO | RAP9800 |
| AP9850 | YES | 4-KD | YES | YES | NEG. | JET-AIR SUSPENSION | WINNEBAGO | RAP9850 |

* PART NUMBER IS ON TOP OF BOX. NUMBER BEGINS WITH "AP" FOLLOWED BY 4 OR 5 NUMERALS.